



TE/SLD

The Most Advanced Textile Digital Metal Detector

**VERY HIGH SENSITIVITY
TO ALL METALS**



EXAMPLES OF DETECTABLE
METAL FRAGMENTS

- Very high Sensitivity to all magnetic and non-magnetic metals, including stainless steel
- High Immunity to environmental Interference
- Stand - alone and separate control unit version (RC) available
- Compact and robust construction
- Wide Detection Speed range, from 1 up to 600 m/min
- Easy installation and setting
- Complete selection range: 35 models available
- IP65 (RC version) high degree of protection
- Fully Digital Programming
- Internal data logging with data and timestamp for Quality control
- High contrast graphic OLED display
- Password protected with separate user and engineer level
- Bluetooth communication for setting and maintenance through external PC
- Autolearn function for automatic setting of the maximum sensitivity in dry and wet conditions
- Built-in function for automatic measurement of the external interferences
- High level of electronic and mechanical Reliability



Tel. +39 0575 4181 Fax +39 0575 418296 qa-detectors@ceia-spa.com



www.ceia.net

The CEIA TE/SLD Digital Metal Detectors are the ideal means of protection for production lines against accidental damage caused by fragments of metal which can enter the manufacturing process along with the material

The CEIA TE/SLD Metal Detector belongs to the family of micro-sensitive bar metal detectors whose **high quality and reliability are universally recognized by leading world manufacturers of industrial machinery.**

These devices are the ideal means of protection for production lines against accidental damage caused by fragments of metal which can enter the manufacturing process along with the material.

The TE/SLD Metal Detector signals the presence of magnetic and non-magnetic metal masses, both on the exterior and in the interior of the product, and stops the machine.

Sensitivity can be adjusted digitally depending on the size of the metal fragments which must be intercepted, and a special detection memory func-

tion also reveals the passage of several consecutive contaminants.

The compact nature of the TE/SLD Metal Detector facilitates installation where space is at a premium.

Digital signal analysis allows the user to optimize detection with respect to the product's speed of passage and the metals to be intercepted, thus obtaining the best possible immunity to any external interference.

By avoiding damage to the production line and the consequent interruptions to the manufacturing process, the TE/SLD Metal Detector returns the value of the investment at the first detection event.

The TE/SLD Metal Detector is tested to conform to **Electrical Safety and Electromagnetic Compatibility standards** required for the CE mark.

MODERN, RUGGED AND USER FRIENDLY PROGRAMMING



- INDUSTRIAL RATE DESIGN
- RAPID DATA ENTRY
- EASY TO READ, HIGH-CONTRAST GRAPHIC DISPLAY
- RUGGED, ANTIVANDALIC STAINLESS STEEL KEYBOARD

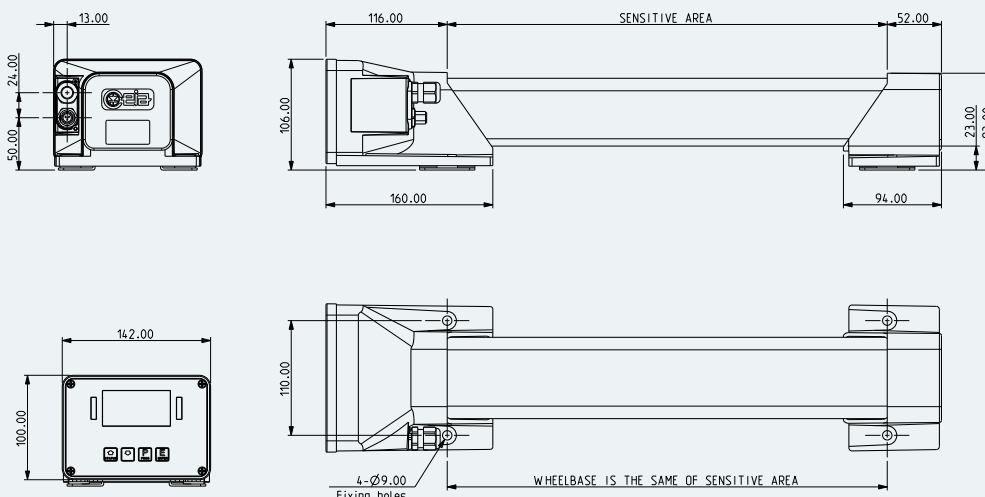


DISPLAY OF THE STATUS OF THE METAL DETECTOR



DISPLAY SCREEN IN CASE OF DETECTION

Overall dimensions

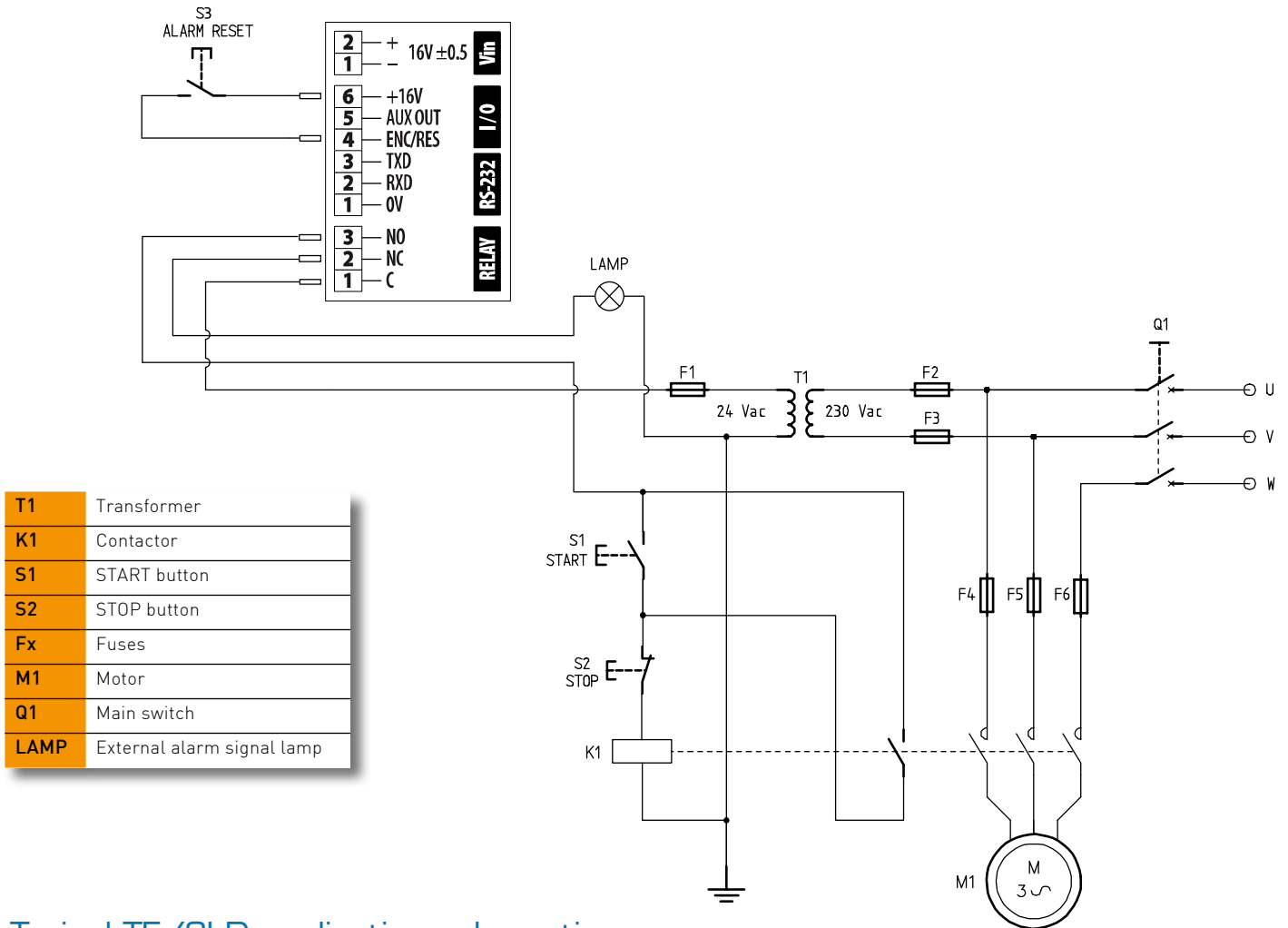


OTHER WIDTHS AVAILABLE ON REQUEST

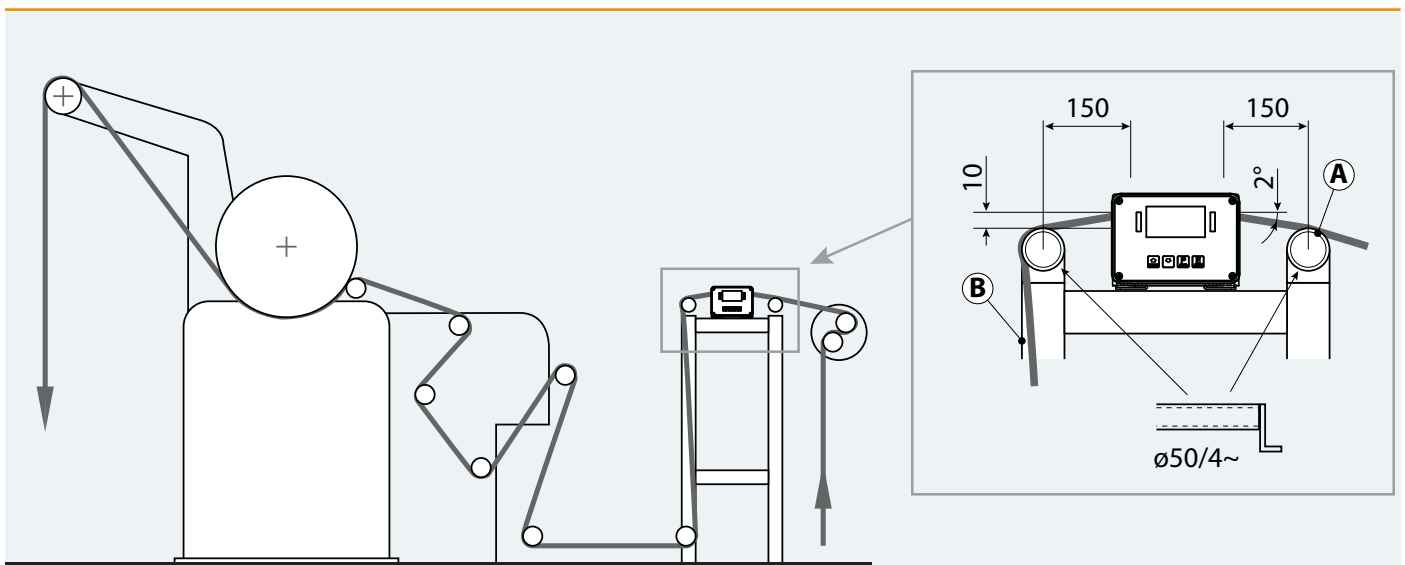
MODELS	SENSITIVE AREA
TE-SLD 1300	1300 mm
TE-SLD 1500	1500 mm
TE-SLD 1700	1700 mm
TE-SLD 1900	1900 mm
TE-SLD 2100	2100 mm
TE-SLD 2300	2300 mm
TE-SLD 2500	2500 mm
TE-SLD 2700	2700 mm
TE-SLD 2900	2900 mm
TE-SLD 3100	3100 mm
TE-SLD 3300	3300 mm
TE-SLD 3500	3500 mm
TE-SLD 3700	3700 mm
TE-SLD 3900	3900 mm
TE-SLD 4100	4100 mm
TE-SLD 4500	4500 mm
TE-SLD 5300	5300 mm



Example of diagram to stop the line in the case of metal alarm



Typical TE/SLD application schematic



MOUNTING ON A SUPPORT FRAME AT THE CLOTH ENTRY-POINT OF A CALENDER
 A: STEEL TUBE; B: STEEL DRAW PIECE

TE/SLD

The Most Advanced Textile Digital Metal Detector

Specifications

GENERAL FEATURES	Adjustable sensitivity with wide dynamic range [0-299]		
	Interception speed programmable according to its application		
	Digital programming with OLED graphic display		
	Visual alarm signal		
	Built-in self-diagnosis system		
	Permanent settings memory without battery back-up		
STRUCTURES	Protection degree	TE/SLD	IP40
		TE/SLD-RC	IP65
INPUTS/OUTPUTS	Voltage	100-240 V- monophase - 50-60 Hz	
	Current	1,5 A max	
PROGRAMMING	Type	Local: through built-in keyboard	
		Remote: Bluetooth	
	Data capabilities	Internal memory	1000 events
			20 products
SIGNALLING	Audible	Internal buzzer	
	Visual	Graphic display with bar-graph indication	
		Bright indicators on Control Panel	RED: Alarm or fault
SECURITY AND SAFETY	Programming access	2 access levels: Operator and Supervisor	
	Galvanic isolation of line voltage		
	Low operating voltage	No danger for the operator	
	In compliance with international standards of safety and radio interference		
CONTROL INPUTS	Connection for	Alarm reset or Encoder input	
	Bluetooth interface	Incorporated	
OUTPUTS	1 programmable relay	Alarm relay	
ENVIRONMENTAL DATA	Temperature	Operating	-10 to +50 °C
		Storage	-25 to +60 °C
	Relative humidity	5 to 90 %, without condensation	
CERTIFICATION AND CONFORMITY	Safety	EN61010-1 Safety requirements for electrical equipment for measurement, control and laboratory use - Part 1: General requirements	
		EN60204-1 Safety of machinery - Electrical equipment of machines - Part 1: General requirements	
	EMC	EN61000-6-2 Electromagnetic Compatibility (EMC) - Part 6-2: Generic standards - Emission standard for industrial environments	
		EN61000-6-4 Electromagnetic Compatibility(EMC) - Part 6-4: Generic standards - Immunity for industrial environments	
		European Directive 2004/108/CE	

REMOTE CONTROL UNIT



VIEW OF THE REMOTE CONTROL UNIT VERSION (TE/SLD-RC)

EXAMPLES OF INSTALLATION



LATERAL TE/SLD INSTALLATION



UPDOWN TE/SLD INSTALLATION



COSTRUZIONI ELETTRONICHE INDUSTRIALI AUTOMATISMI

Zona Ind.le 54/G, 52041 Vicinaggio - Arezzo (ITALY)

Phone: +39 0575 4181 Fax: +39 0575 418296 E-mail: qa-detectors@ceia-spa.com

www.ceia.net

CEIA reserves the right to make changes, at any moment and without notice, to the models (including programming), their accessories and options, to the prices and conditions of sale

DP001K0001v1000UK-58086